

# **«SeatsControl-MB» Technical Manual**

Table 1. Unit port outputs assignment.....	2
Table 2. Joystick port outputs assignment .....	3
Table 3. Seat control unit port outputs assignment.....	4
Table 4. Standard delivery kit.....	4

**SeatsControl-MB** unit is designed for imitating main CAN bus signals of Mercedes-Benz vehicles for installation of Mercedes Benz (215&220) seats into other vehicles.

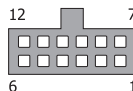


Fig. 1. Numeration of module terminal contacts, view from the side of wires.

**Table 1. Unit port outputs assignment**

No	Wire Color	Type	Assignment
1	Black	Power supply	“Ground”
2	Brown	«CAN»	CAN-L vehicle data bus
3	Orange/Black	(-) Input	Input for doors opening end probes
4			
5			
6			
7	Red	Power supply	Constant +12V unit power supply
8	Brown/Red	«CAN»	CAN-H vehicle data bus
9	Yellow	(+) Input	Ignition signal input
10	Orange/Blue	(+) Input	External lights (information regarding activation)
11			
12			

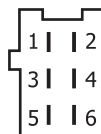


Fig. 2. Seat joystick port that is subject to connection and numeration of its pins

Table 2. Joystick port outputs assignment

No	Assignment
1	"Ground"
2	Constant +12V power supply
3	"CAN-L" vehicle data bus
4	"CAN-H" vehicle data bus
5, 6	Not used

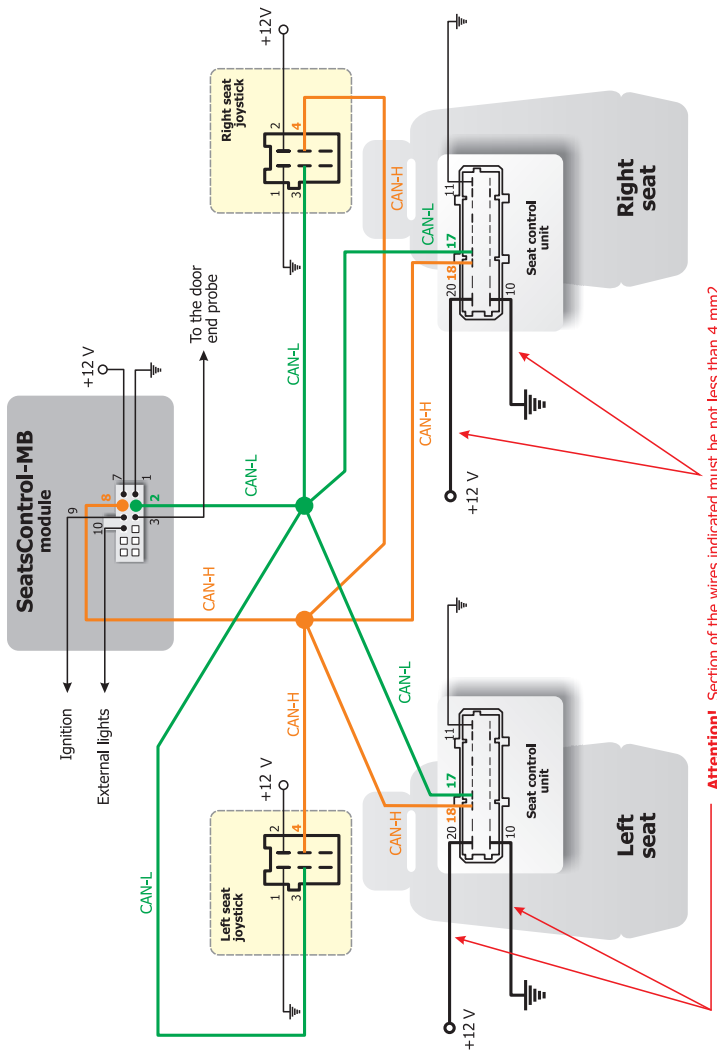


Fig. 3. Wiring diagram: unit, joysticks and seat control units



Fig. 4. Fig. 4. Seat control unit connector to which connection is provided and its pin numeration

**Table 3. Seat control unit port outputs assignment**

No	Assignment
10	Power ground. <b>Attention! A wire with section of not less than 4 mm<sup>2</sup> is to be connected</b>
11	Ground
17	"CAN-L" data bus
18	"CAN-H" data bus
20	Power supply. <b>It must be connected to constant +12V voltage by a wire with section not less than 4 mm<sup>2</sup></b>
other	Not used

**Table 4. Standard delivery kit**

Item	Q-ty
Central unit	1 pc
12-contact port with wiring	1 pc
Technical Manual	1 pc
Package	1 pc

Product warranty is provided for 1 year since the moment of the sale if all the installation recommendations have been followed. In case of warranty case please contact to the company which sold this product to you.

Distributor \_\_\_\_\_ Date of sale \_\_\_\_\_



Manufacturer «TEC electronics» Ltd.  
 Product is produced according to TY 4372-006-78025716-10.  
 Certificate of origin No POCC RU.AB75.B00340  
 Product corresponds to regulatory documents:  
 GOCT P 41.97-99, GOCT P 50789-95